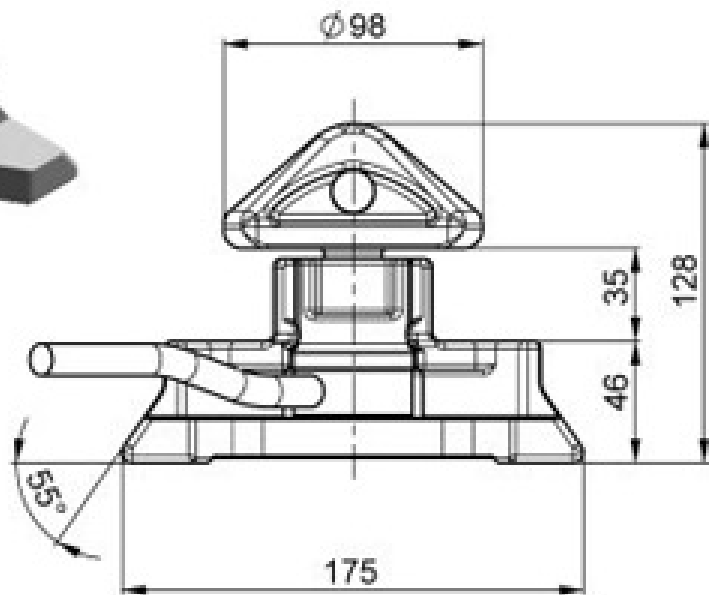
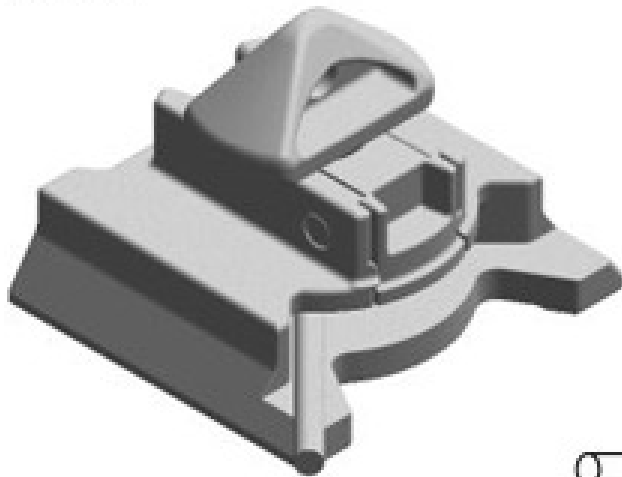
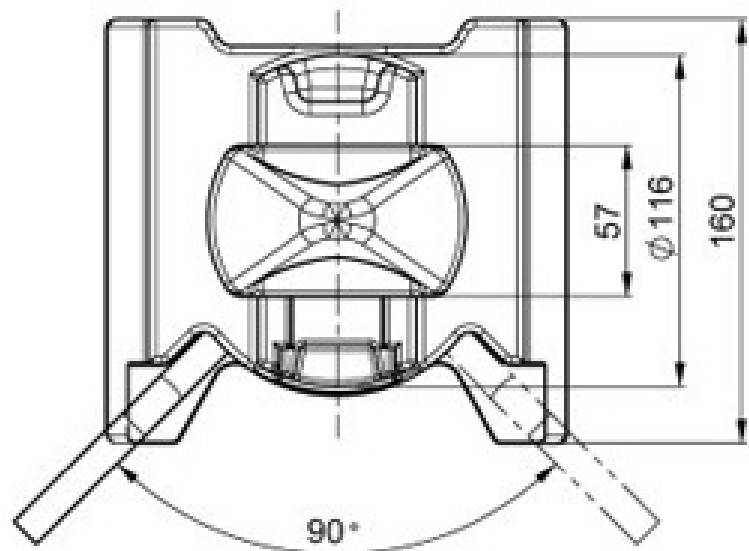
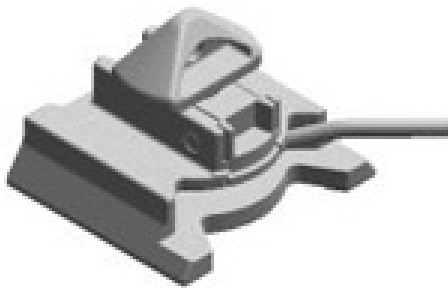


B-55L



B-55R



Position of B-55L handle  
when locked

Position of B-55R handle  
when locked

i	02/08/2010	PP	General update of shape				
h	08/08/2009	EN	Shaft length increased from 32 to 35mm				
Mod.	Date	Check	Description				
Scale	1:5	Strength (kN):		Weight	7.10 kg	Material HS Steel	Finish Galvanized
 Drawing Size <b>A4</b>		Tension	Shear	Compr.			
	MSL	245	210	-			
	PL	367	267	-			
	BL	490	420	-			
Description						Project	
<b>U-frame twistlock</b>							
Drawn	Satta M. 28/10/2005	Check	Zwysen P. 28/10/2005	Reference no.	<b>B-55</b>		Page <b>1</b>
						Mod. <b>i</b>	