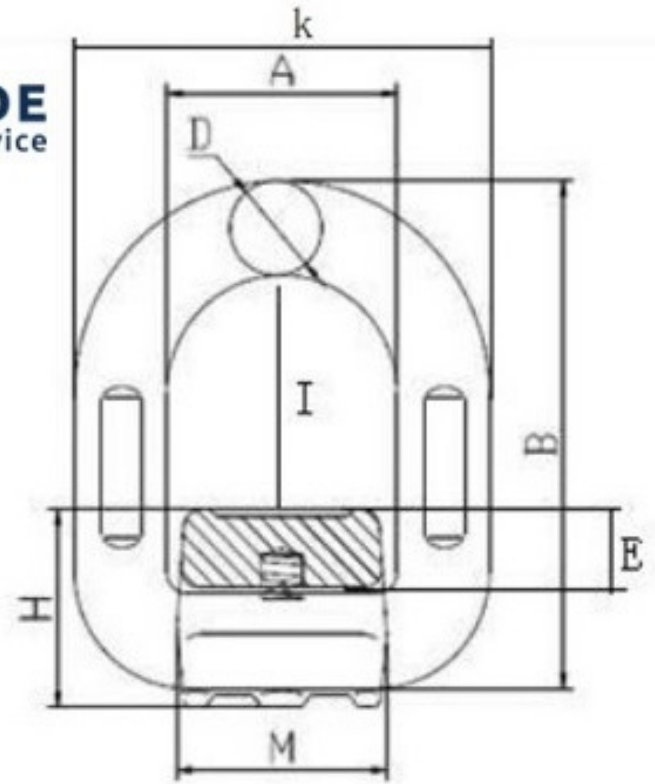




HVIDE SANDE
Shipyard · Steel · Service



WLL	Weight	D	A	K	B	I	M	H	C	E
1T	0.4	13	41	67	79	35	37	32	38	12
2T	0.47	14	42	70	90	41	39	33	40	13
3T	0.69	17	45	79	93	40	43	36	43	13
5T	1.46	22	55	99	117	50	50	46	60	17
8T	2.5	27	69	123	140	64	66	50	70	18
15T	5.79	34	95	163	188	82	89	60	88	24