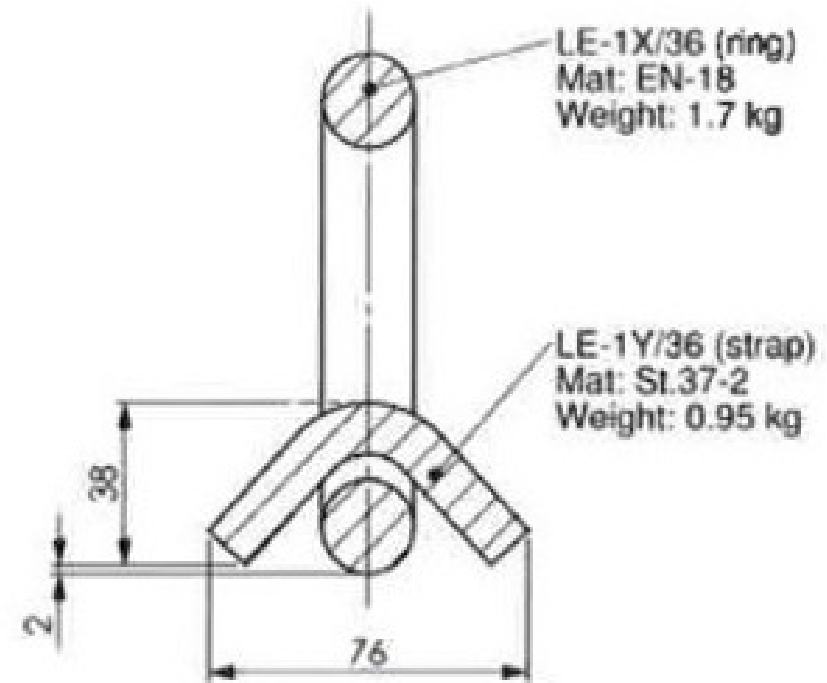
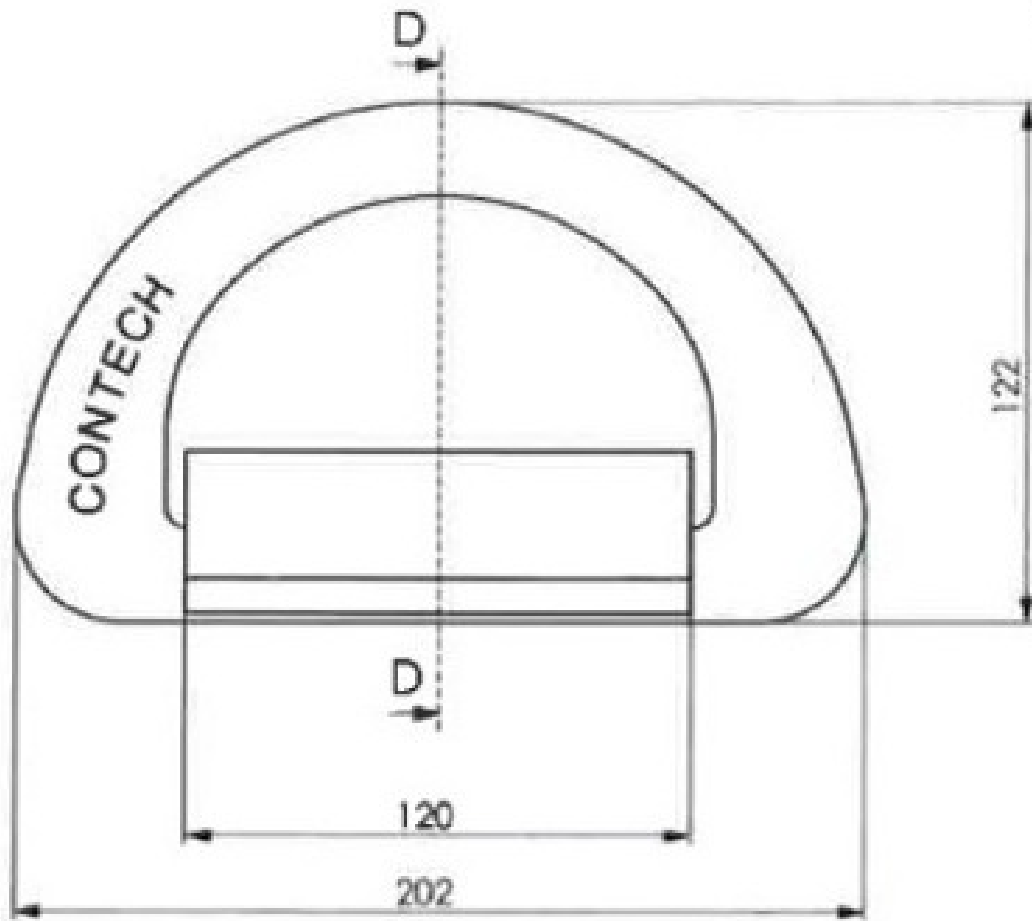


**FINISH:** Black phosphated



SECTION D-D

DEBURR AND  
BREAK SHARP  
EDGES

FORMAT:

MATERIAL:



**HVIDE SANDE**  
Shipyard · Steel · Service

NAME	SIGNATURE	DATE
RAWN		17-01-2018
APP'D		
CHK'D	WEIGHT:	

This drawing is the property of  
A/S Hvid Sande Shipyard, Steel and Service,  
and it's subject matter may not be used,  
reproduced or indulged without the  
permission of  
A/S Hvid Sande Shipyard, Steel and Service

DWG NO.

SCALE: 1:2

REVISION:

A4

SHEET 1 OF